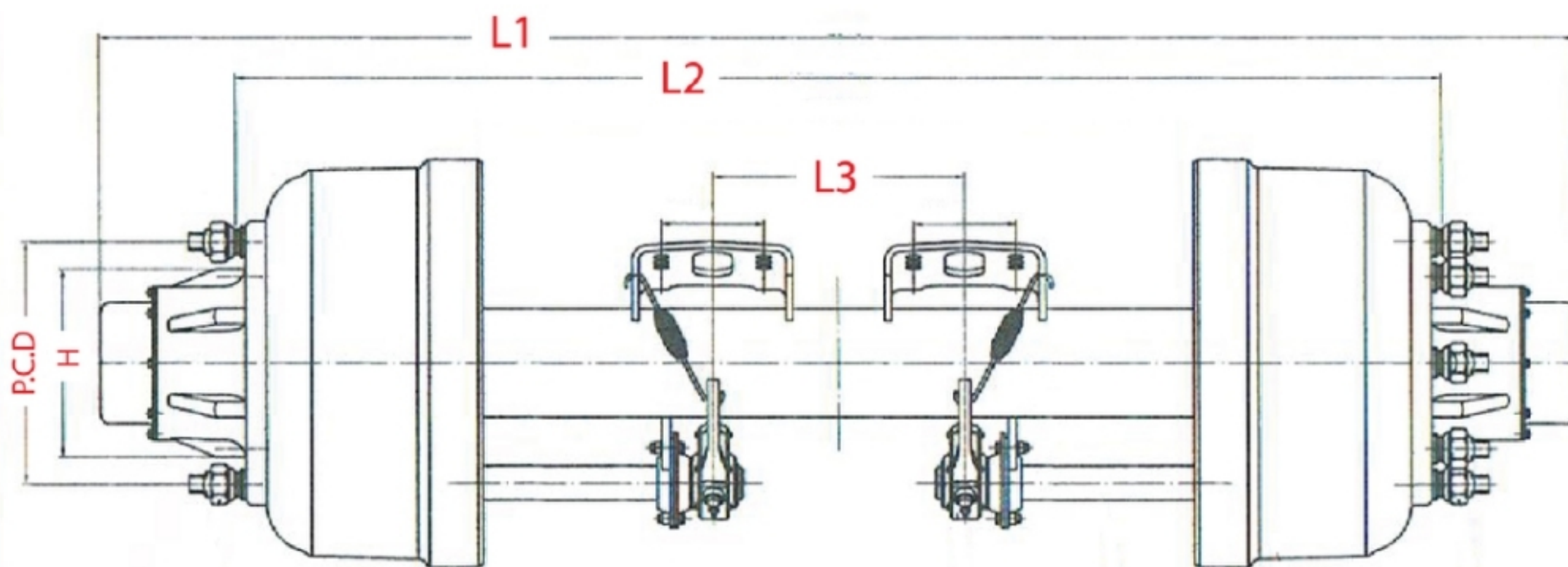


ข้อมูลเพลา



เพลาเหลี่ยม 150

Axle Type	105 (km/h)	"S" Cam Brake	Track TR (mm)	Center distance of Brake chamber	Wheel Fixing			Total Length OL (mm)	Recommended Wheel	Hub Bearing	Weight (kg)
		Ø x Width (mn)			Studs (mm)	P.C.D. (mm)	Ø H (mm)				
K1301WFa	13,800	Ø420x180	1840	277	8-m20 x 1.5JIS	285	221	2180	7.50v-20	518445/10	350
FH1303WF	13,800	Ø420x180	1840	390	10-m22x1.5ISO	335	281	2180	7.50v-20	518445/10	355
K1309NFa	13,800	Ø420x180	1820	257	8-m20 x 1.5JIS	285	220	2140	7.50v-20	32217 32218	358
FH1377NF	13,000	Ø420x180	1840	470.6	10-m22x1.5ISO	335	280.8	2136	8.25-22.5	33118 33213	315
FH1378NF	13,000	Ø420x180	1840	444.6	10-m22x1.5ISO	335	280.8	2136	8.25-22.5	33118 33213	315

เพลาทาบ 127

Axle Type	105 (km/h)	"S" Cam Brake	Track TR (mm)	Center distance of Brake chamber	Wheel Fixing			Total Length OL (mm)	Recommended Wheel	Hub Bearing	Weight (kg)
		Ø x Width (mn)			Studs (mm)	P.C.D. (mm)	Ø H (mm)				
FH1101WYa	11,500	Ø311x190	1840	239±5	10-m22x1.5ISO	225	176	2145±5	6.75 x17.5 6.5-15	518445/10	287
FH1228NY	12,000	Ø311x190	1650	321±5	6xM20x1.5/M22x1.5JIS	222.25	164	1957	6.75 x17.5 6.5-15	218248/10 33213	268
FH1228NY	12,000	Ø311x190	1750	445±5	6xM20x1.5/M22x1.5JIS	222.25	164	2057	6.75 x17.5 6.5-15	218248/10 33213	270
FH1228NY	12,000	Ø311x178	1800	445±5	6xM20x1.5/M22x1.5JIS	222.25	164	2110	6.75 x17.5 6.5-15	218248/10 33213	272