

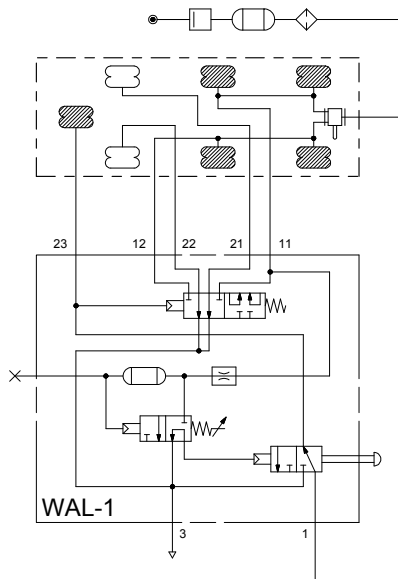
**SPECIFICATIONS**

- \* Semi-automatic lift axle control valve for air suspended multi-axle trailers.
- \* Manual drop and raise of lift axle.
- \* Automatic drop of lift axle when a predetermined non-lift axles load is reached.
- \* Push-in fittings (8mm tube) and filters as standard equipment.
- \* Settings according to customer request.
- \* Fluid to use: Filtered Air.
- \* Maximum Pressure: 14 bar.
- \* Temperature Range: From -35°C to +80°C.
- \* Automatic Drop Pressure Range: From 2.4 bar to 5.8 bar

**OPTIONS**

- \* Fittings:
  - Automotive fittings for 8 mm tube.
  - Automotive fittings for 10 mm tube.
- \* Anchoring:
  - Special support plate for frontal anchoring to operation box of the vehicle.
- \* Pressure Outlet:
  - For easy adjustment checking.

**PNEUMATICAL SCHEME**



UWTWAL1-  
 ↗ 8 = 8 mm Fitting  
 ↘ 10 = 10 mm Fitting

UNCONTROLLED COPY  
 NO RIGHTS CAN BE CLAIMED FROM THIS DOCUMENT

THIS DOCUMENT IS PROPERTY OF VDL WEWELER BY COPYING, ANNOUNCING, OR GIVE A THIRD PARTY PERUSAL OF ANY KIND, IS PROHIBITED WITHOUT APPROVAL OF OWNER.		DATE	BY	APP.	MODIFICATION ON LAST REVISION:
DRAWN	9-12-2005	RTS			WAP10-044
LAST REV.	3-9-2010	RTS			
<b>VDL Weweler</b> VDL WEWELER B.V. P.O. BOX 142 7300 AC APELDOORN THE NETHERLANDS		TITLE: <b>Control Valve Semi Automatic</b>		PROJECT:	
		ART.CODE: <b>UWTWAL1-</b>		REV.	
DOC.NR.: <b>WE0016080</b>		Work in Progress			