

61.50.349.337**BPW Trailer axle SHZMSLM 12010 EZ ECO Plus**

with disc brake BPW SB 4345 - please read out BPW code number and request separately -

Brake caliper 20° in direction of travel in front below

with dust covers for off-road

for ABS, with sensors

Track 1840 mm, spring seat centre 920 mm

(OR1)

Leaf springs 1 x 57 mm, length 500 / 380 mm

with tracking plates

without air bags

with hanger brackets execution E, height 184 mm

Shock absorber centre 678 mm front

Wheel connection 280.8 / 335 / 10

Wheel studs M 22 x 1.5

for spigot alignment

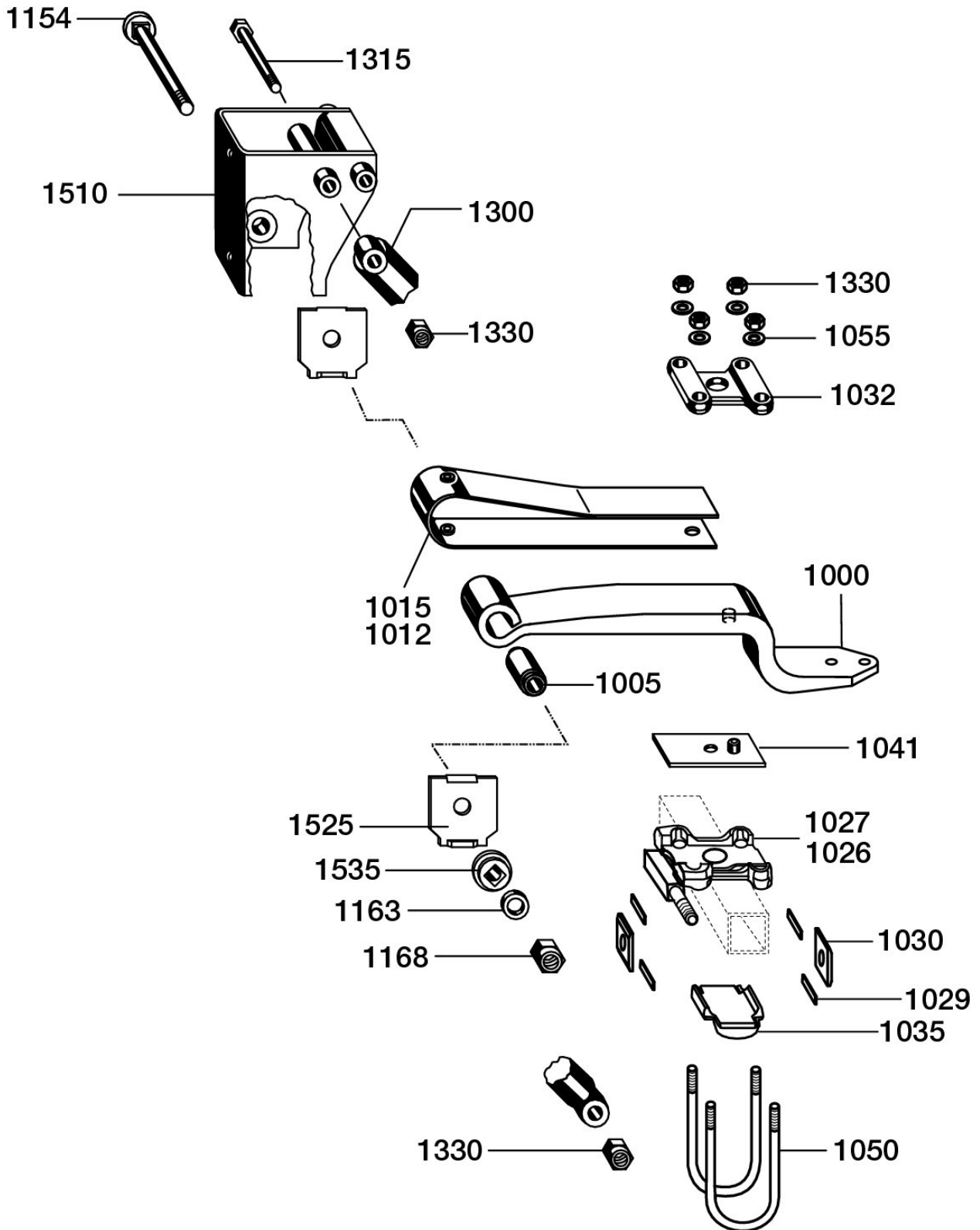
for alloy wheels with bore hole Ø 32 mm

No.	Name	BPW code number	Dimension	Quantity
	BPW Trailer axle SHZM 12010-16 ECO Plus	27.50.614.230		1
1000	Trailing arm incl. item 1005	05.082.13.83.1	D: 1 x 58	2
1005	Bush	02.0316.90.00	Ø 30 / 57 x 102	2
1012	Locking plate incl. item 1015	05.348.30.05.0	L1: 500	2
1015	Plug	03.379.00.27.0		4
1032	Spring plate	03.145.23.27.0	125 x 180	2
1041	Tracking plate	05.281.37.19.0	265 x 98 x 5	2
1050	Spring U-bolt	03.138.45.09.4	M 24 / 180 x 330	4
1055	Disc	02.5401.25.07	A 25	8
1150	Repair kit spring pivot bolt bearing, steel hanger brackets (rigid) item 1005, 1154, 1163, 1168, 1525, 1535	09.801.07.02.0	loose wearing plate	2
1152	Spring bolt assembly, rigid item 1154, 1163, 1168, 1525	05.857.00.24.0	loose wearing plate	2
1154	Spring bolt Torsion protection with square internal lock-bush	03.341.05.03.0	M 30 x 200	2
1163	Disc Torsion protection with square internal lock-bush	03.320.32.38.0	Ø 31 / 57 x 5	2
1168	Lock nut	03.260.15.01.0	M 30	2
1300	Shock absorber incl. item 1303, 1304 Read off the code number from the shock absorber. Replace shock absorbers on an axle as a complete set.	02.3722.14.00	L min.: 326	2
1300	Shock absorber incl. item 1303, 1304 Read off the code number from the shock absorber. Replace shock absorbers on an axle as a complete set.	02.3722.83.00	L min.: 326	2
1303	Bush for BOGE shock absorber	02.0316.21.00	Ø 24 / 30 x 55	4
1304	Rubber bump stop for BOGE shock absorber	02.2805.01.00		4
1315	Hexagon screw upper shock absorber attachment with screw	03.340.14.12.0	M 24 x 275 / 45 - 8.8	2

61.50.349.337
BPW Trailer axle SHZMSLM 12010 EZ ECO Plus



No.	Name	BPW code number	Dimension	Quantity
1330	Lock nut	02.5220.74.12	VM 24 - 10	12
1510	Hanger bracket, rigid, torsion protection with square internal lock-bush, loose wearing plate incl. item 1535	05.375.40.73.0	ST: 184	2
1525	Shaped plate loose wearing plate	03.164.35.01.0	Ø 30,2 / 120 x 125 x 5	4
1535	Bush Torsion protection with square internal lock-bush, loose wearing plate	03.113.01.46.0	Ø 30,5 / 55 / 73,6 x 24	4



27.50.614.230
BPW Trailer axle SHZM 12010-16 ECO Plus



(OR1)

with disc brake BPW SB 4345 - please read out BPW code number and request separately -

Brake caliper 20° in direction of travel in front below

with dust covers for off-road

for ABS, with sensors

Track 1840 mm, spring seat centre 920 mm

for upper mounting suspension

Shock absorber centre 678 mm front

Wheel connection 280.8 / 335 / 10

Wheel studs M 22 x 1.5

for spigot alignment

for alloy wheels with bore hole Ø 32 mm

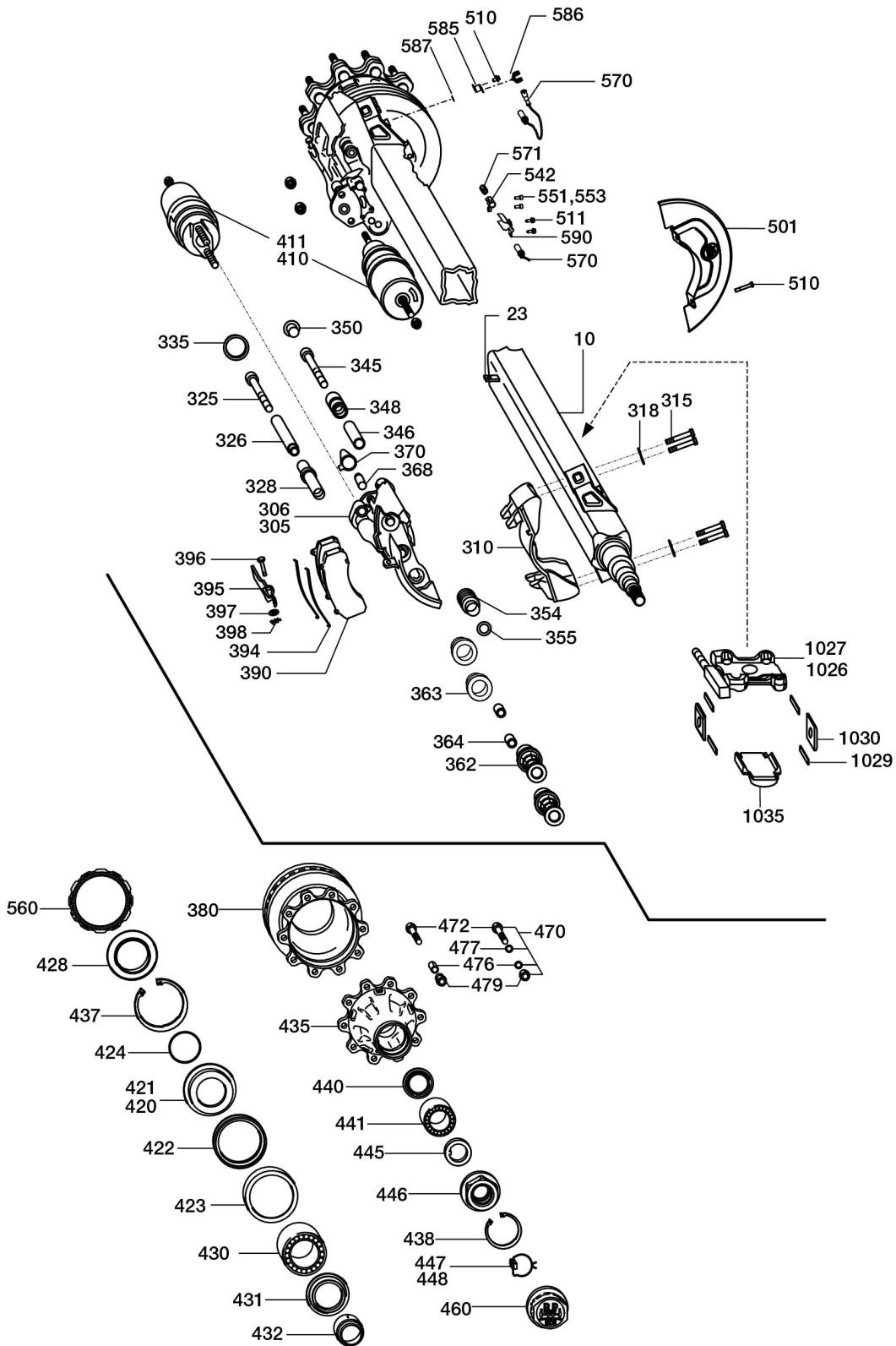
No.	Name	BPW code number	Dimension	Quantity
	BPW disc brake complet SB 4345	05.362.70.64.2		1
	BPW disc brake complet SB 4345	05.362.70.64.3		1
	BPW disc brake complet SB 4345	05.362.70.65.2		1
	BPW disc brake complet SB 4345	05.362.70.65.3		1
10	Axle beam assembly	11.11.111110	When ordering axle beam assembly please state axle type and BPW-code-no. (axle name plate).	1
23	Plate	03.281.42.03.0		1
315	Screw	03.340.12.26.0	M 16 x 1,5 x 97 - 12.9	12
318	Disc	02.5401.16.08	A 17	12
380	Brake disc, 10 holes	03.088.35.05.7	SB 4309 / 4345	2
416	Repair kit ECO Plus hub bearing, 10 t item 420, 423, 428, 430, 431, 432, 440, 441, 445 (until 1 / 05)	09.801.06.27.0		2
416	Repair kit ECO Plus hub bearing, 10 t item 420, 422, 430, 431, 432, 440, 441, 445 (ECO Seal, from 1 / 05)	09.801.07.04.0		2
420	Thrust washer cpl. item 421, 422, 424	05.370.07.65.0		2
420	Thrust washer cpl. item 421, 424 (ECO Seal)	05.370.07.73.0		2
421	Thrust washer	03.370.07.62.0	Ø 96 / 135 / 159 x 22	2
421	Thrust washer ECO Seal	03.370.07.72.0	Ø 96 / 117,5 / 132 x 22	2
422	Oil seal	02.5664.58.00	Ø 135 / 156,7 x 12	2
422	Oil seal ECO Seal	02.5664.74.00	Ø 117,5 / 158 x 17,5	2
423	Ring not with ECO Seal	02.5683.63.00	Ø 151 / 160 x 12,5	2
424	O-ring	02.5678.00.00	Ø 100 x 3	2
428	Dirt seal not with ECO Seal	03.120.48.13.0	Ø 133 / 168 x 15	2
430	Roller bearing	02.6410.23.00	33118	2
431	Dust cover (oil catcher)	03.010.93.34.0	Ø 94 / 149 x 8,5	2
432	Seal	03.120.45.16.0	Ø 67 / 93 x 90,5	2
434	Repair kit hub bearing (cpl. hub) item 420 - 448, 460, 560	09.801.06.23.0	with hub 03.272.43.17.0	2
434	Repair kit hub bearing (cpl. hub)	09.801.06.23.2	with hub 03.272.43.26.2	2

27.50.614.230
BPW Trailer axle SHZM 12010-16 ECO Plus



No.	Name	BPW code number	Dimension	Quantity
	item 420 - 448, 460, 560 (ECO Seal)			
435	Hub	03.272.43.17.0	10 x Ø 22 / M 136 x 2,5	2
435	Hub ECO Seal	03.272.43.26.2	10 x Ø 22 / M 136 x 2,5	2
437	Locking ring 8 - 9 t ECO Plus / ECO Seal, 10 - 12 t ECO Seal	02.5606.58.90	Ø 158 x 4	2
437	Locking ring	02.5606.60.90	Ø 160 x 4	2
438	Locking ring	02.5606.22.90	Ø 122 x 4	2
440	Thrust washer	03.370.26.24.0	Ø 71 / 108 x 8	2
441	Roller bearing	02.6410.22.00	33213	2
445	Disc	03.320.64.01.0	Ø 53 / 76 x 5,8	2
446	Axle nut	05.266.47.06.0	M 52 x 2 / SW 95	2
447	Locking piece	03.277.00.07.0		2
448	Hooked spring ring	03.188.04.10.0	Ø 62 x 1,8	2
460	Hubcap	03.212.25.31.0	M 136 x 2,5 / SW 110	2
472	Wheel stud (helical fit wheel stud)	03.296.33.12.1	M 22 x 1,5 / 97 / 62	20
479	Wheel nut	05.260.54.14.1	M 22 x 1,5	20
500	Supplementary installation kit cover plates for brake discs SB 4345 (tangential mounting) item 501, 510	09.801.06.42.0		1
501	Dust cover	03.010.91.78.0		2
510	Locking screw	02.5071.22.00	M 10 x 15	6
511	Locking screw	02.5071.23.00	M 8 x 20	2
540	Shaped plate (for sensor bracket H = 9)	03.160.23.01.0	56 x 15 x 7	2
541	Shaped plate	03.163.23.04.0	60 x 40 x 3	2
542	Sensor bracket	03.189.07.87.0	H = 12,5	2
542	Sensor bracket	03.189.12.02.0	H = 9	2
551	Cylinder cap screw	02.5015.00.80	M 6 x 16 - 8.8	4
551	Cylinder cap screw (for sensor bracket H = 9)	02.5015.94.80	M 6 x 12 - 8.8	4
553	Spring washer	02.5601.06.90	A 6	4
560	Exciter ring	05.310.08.50.1	d: 150	2
570	Sensor	02.3317.07.00	L = 350 mm	2
571	Bush for ABS	02.0316.59.00		2
585	Support	03.189.07.35.0		2
586	Support for sensor plug	02.1421.11.00		2
587	Serrated lock washer	02.5414.11.90	A 10,5	2
590	Heat protection cover	03.165.24.64.0		2
1026	Spring pad	05.032.10.48.0		1
1027	Spring pad	05.032.10.47.0		1
1030	Shaped part	03.001.35.10.0	111 x 88 x 15 / Ø 50	4
1035	Segment	03.345.25.05.1		2

27.50.614.230
 BPW Trailer axle SHZM 12010-16 ECO Plus



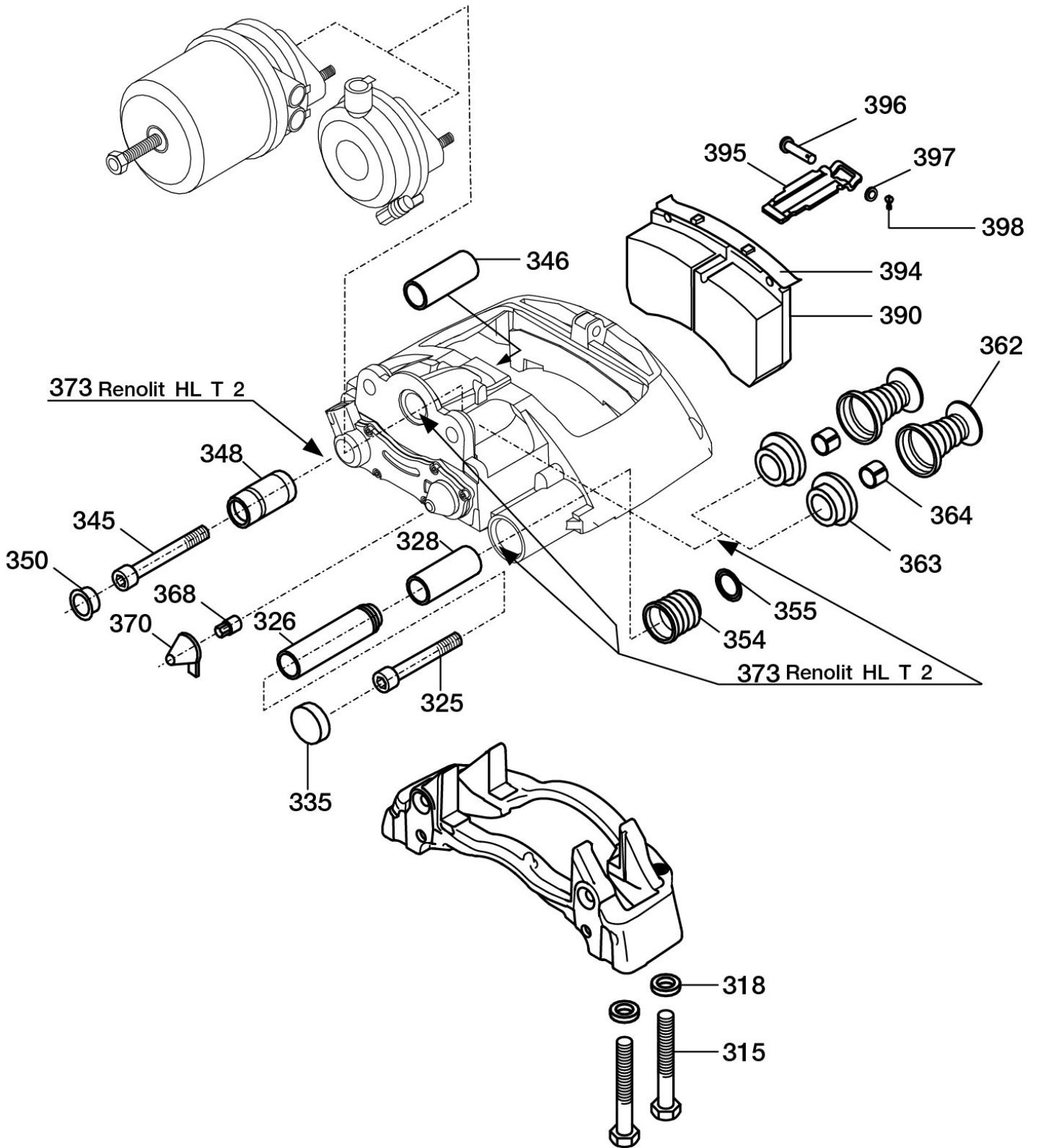
05.362.70.64.2
BPW disc brake complet SB 4345



Tangential mounting
 Brake lining Textar T 3030

No.	Name	BPW code number	Dimension	Quantity
323	Repair kit - set of guide sleeves and seals item 325 - 328, 345 - 352, 373	09.801.06.33.0		1
325	Cylinder cap screw (steel cap)	02.5015.72.15	M 16 x 1,5 x 86 - 10.9	1
326	Bush (guide gush / main guide pin) (steel cap)	02.0316.97.00	Ø 17 / 26 / 36 x 116	1
328	Guide bush	02.0315.36.00	Ø 36 / 40 x 82	1
335	Cover plate	02.0601.19.00		1
344	Secondary guide pin repair kit item 345 - 348, 350, 373	09.801.06.91.0	with 02.1410.21.00 (Ø stop ring = 39)	1
345	Cylinder cap screw	02.5015.73.15	M 16 x 1,5 x 80	1
346	Bush	02.0314.06.00	Ø 17 / 32 x 80	1
348	Guide sleeve	02.1410.21.00		1
350	Cap	02.1827.07.00		1
352	Repair kit seal for sliding guide item 335, 354, 355	09.801.06.34.0		1
354	Bellow	02.1011.24.00	Ø 33 / 50 x 38	1
355	Ring	02.5683.74.00	Ø 36,6 / 50 x 5,4	1
360	Repair kit thrust piece item 362 - 364, 373	09.801.06.32.0		1
362	Thrust piece with bellow	02.0608.15.00		2
363	Seal	02.0611.05.00		2
364	Bush	02.0315.56.00	Ø 16 / 18 x 10	2
367	Repair kit adjusting adapter item 368, 370	09.801.06.25.0		1
368	Adjusting adapter	02.2400.11.00		1
370	Cap	02.1827.09.00	Ø 35	1
373	Renolit HLT 2	02.1040.40.00	5 g tube	1
388	Repair kit brake lining SB 4345 Textar T 3030 item 368 - 370, 390, 394, 396 - 398 (item 368, 370 for disc brake with adjusting adapter)	09.801.06.45.0	for one axle	1
390	Brake lining cpl. SB 4345 Textar T 3030 Only deliverable per kit 09.801.06.45.0 (item 388)!	05.092.90.07.0		2
393	Repair kit brake retaining clip item 395 - 398	09.801.02.66.0	for one axle	1
394	Clamping spring for brake lining Only deliverable per kit (item 388)!	02.3319.01.00		2
395	Brake pad retaining clip	02.0305.21.00		1
396	Bolt	02.5829.22.31	Ø 10 x 48 / 52	1
397	Disc	02.5404.10.04	10,5	1
398	Lock	02.3301.31.00		1

05.362.70.64.2
 BPW disc brake complet SB 4345



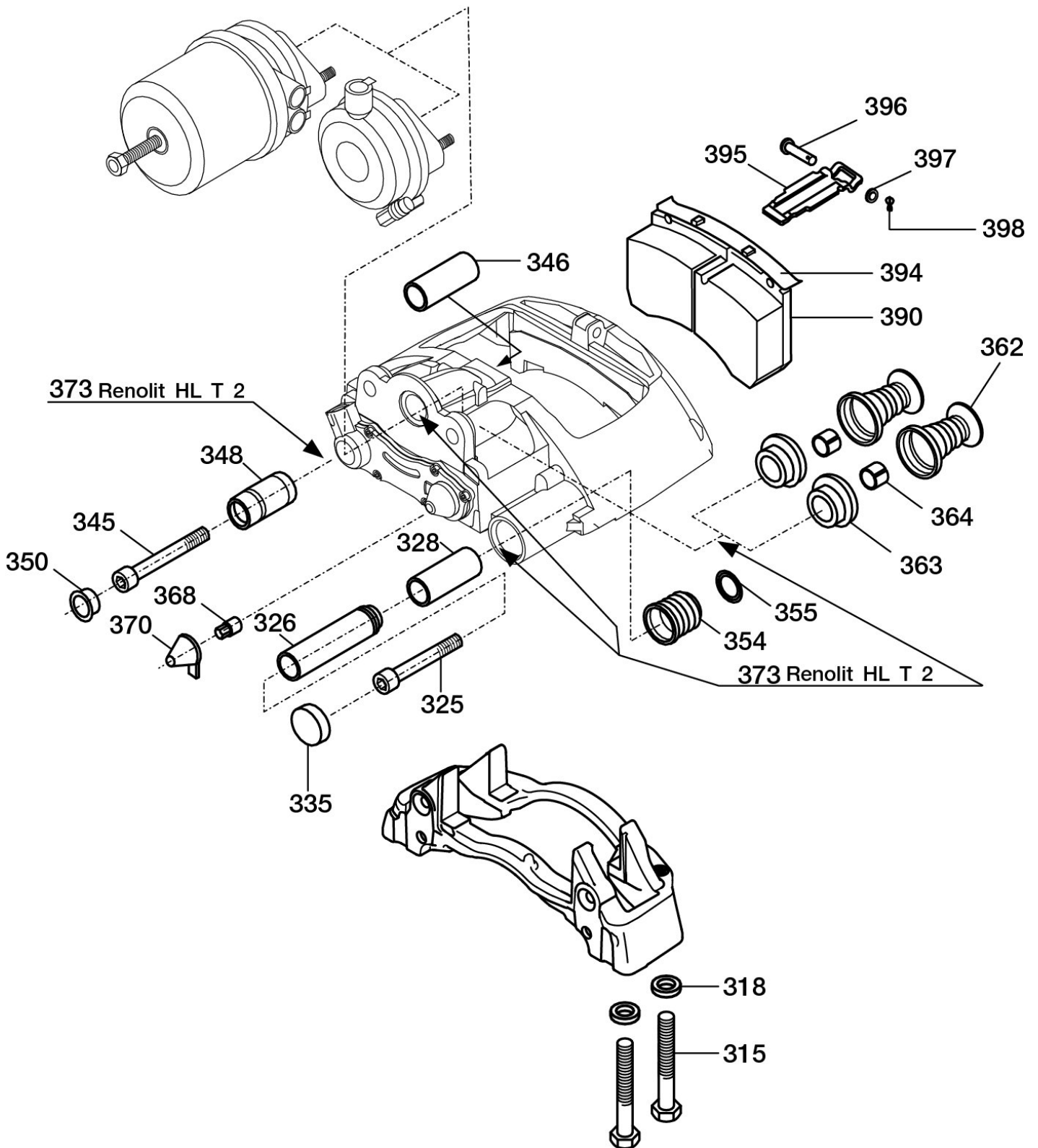
05.362.70.64.3
BPW disc brake complet SB 4345



Tangential mounting
 Brake lining Jurid 539

No.	Name	BPW code number	Dimension	Quantity
323	Repair kit - set of guide sleeves and seals item 325 - 328, 345 - 352, 373	09.801.06.33.0		1
325	Cylinder cap screw (steel cap)	02.5015.72.15	M 16 x 1,5 x 86 - 10.9	1
326	Bush (guide gush / main guide pin) (steel cap)	02.0316.97.00	Ø 17 / 26 / 36 x 116	1
328	Guide bush	02.0315.36.00	Ø 36 / 40 x 82	1
335	Cover plate	02.0601.19.00		1
344	Secondary guide pin repair kit item 345 - 348, 350, 373	09.801.06.91.0	with 02.1410.21.00 (Ø stop ring = 39)	1
345	Cylinder cap screw	02.5015.73.15	M 16 x 1,5 x 80	1
346	Bush	02.0314.06.00	Ø 17 / 32 x 80	1
348	Guide sleeve	02.1410.21.00		1
350	Cap	02.1827.07.00		1
352	Repair kit seal for sliding guide item 335, 354, 355	09.801.06.34.0		1
354	Bellow	02.1011.24.00	Ø 33 / 50 x 38	1
355	Ring	02.5683.74.00	Ø 36,6 / 50 x 5,4	1
360	Repair kit thrust piece item 362 - 364, 373	09.801.06.32.0		1
362	Thrust piece with bellow	02.0608.15.00		2
363	Seal	02.0611.05.00		2
364	Bush	02.0315.56.00	Ø 16 / 18 x 10	2
367	Repair kit adjusting adapter item 368, 370	09.801.06.25.0		1
368	Adjusting adapter	02.2400.11.00		1
370	Cap	02.1827.09.00	Ø 35	1
373	Renolit HLT 2	02.1040.40.00	5 g tube	1
388	Repair kit brake lining SB 4345 Jurid 539 item 368 - 370, 390, 394, 396 - 398 (item 368, 370 for disc brake with adjusting adapter)	09.801.06.96.0	Model no longer available. Replaced by 09.801.16.45.0	1
390	Brake lining cpl. SB 4345 Jurid 539 Only deliverable per kit 09.801.06.96.0 (item 388)!	05.092.90.09.0	Model no longer available. Replaced by 05.092.90.07.0	2
393	Repair kit brake retaining clip item 395 - 398	09.801.02.66.0	for one axle	1
394	Clamping spring for brake lining Only deliverable per kit (item 388)!	02.3319.01.00		2
395	Brake pad retaining clip	02.0305.21.00		1
396	Bolt	02.5829.22.31	Ø 10 x 48 / 52	1
397	Disc	02.5404.10.04	10,5	1
398	Lock	02.3301.31.00		1

05.362.70.64.3
 BPW disc brake complet SB 4345



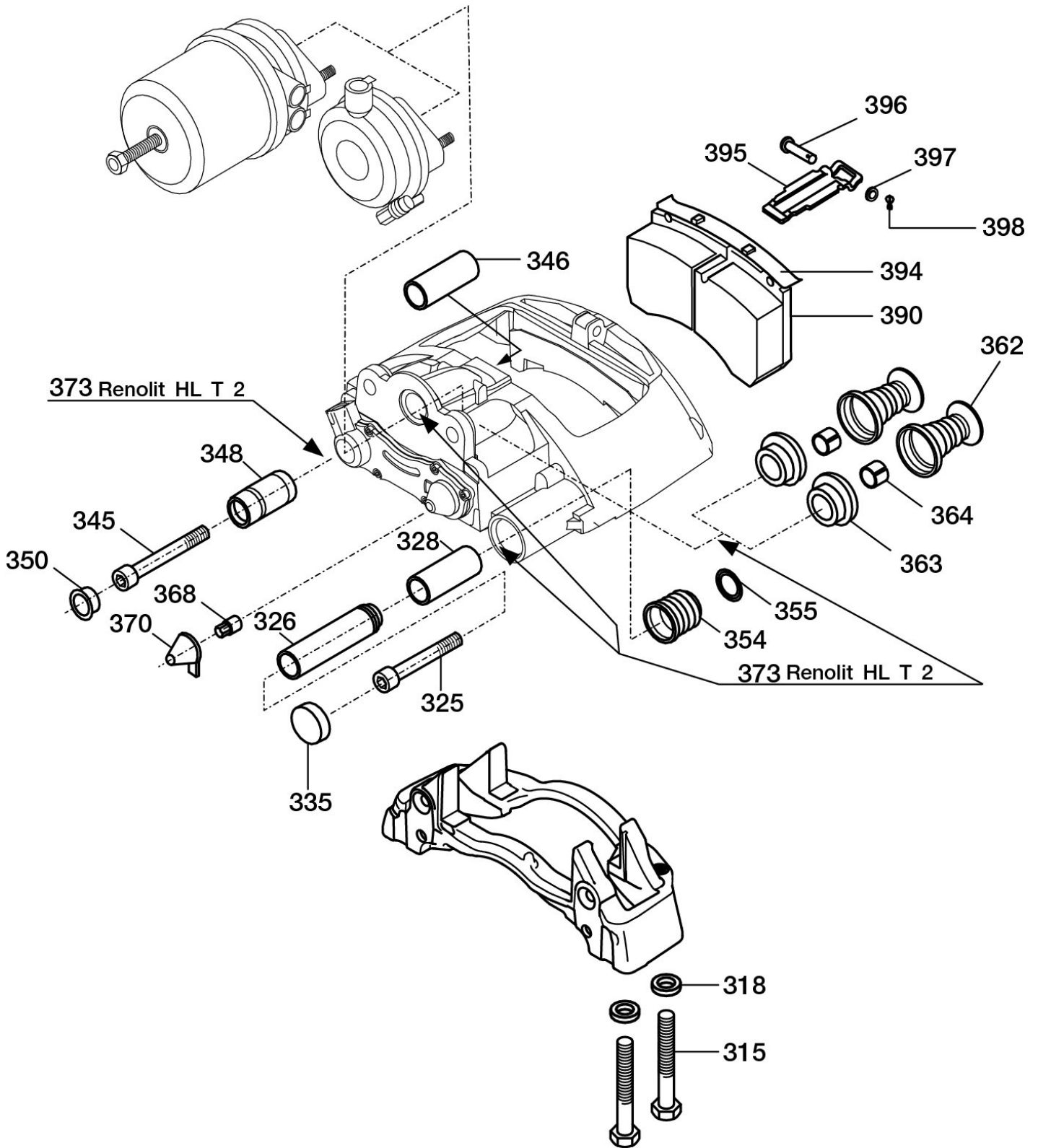
05.362.70.65.2
BPW disc brake complet SB 4345



Tangential mounting
 Brake lining Textar T 3030

No.	Name	BPW code number	Dimension	Quantity
323	Repair kit - set of guide sleeves and seals item 325 - 328, 345 - 352, 373	09.801.06.33.0		1
325	Cylinder cap screw (steel cap)	02.5015.72.15	M 16 x 1,5 x 86 - 10.9	1
326	Bush (guide gush / main guide pin) (steel cap)	02.0316.97.00	Ø 17 / 26 / 36 x 116	1
328	Guide bush	02.0315.36.00	Ø 36 / 40 x 82	1
335	Cover plate	02.0601.19.00		1
344	Secondary guide pin repair kit item 345 - 348, 350, 373	09.801.06.91.0	with 02.1410.21.00 (Ø stop ring = 39)	1
345	Cylinder cap screw	02.5015.73.15	M 16 x 1,5 x 80	1
346	Bush	02.0314.06.00	Ø 17 / 32 x 80	1
348	Guide sleeve	02.1410.21.00		1
350	Cap	02.1827.07.00		1
352	Repair kit seal for sliding guide item 335, 354, 355	09.801.06.34.0		1
354	Bellow	02.1011.24.00	Ø 33 / 50 x 38	1
355	Ring	02.5683.74.00	Ø 36,6 / 50 x 5,4	1
360	Repair kit thrust piece item 362 - 364, 373	09.801.06.32.0		1
362	Thrust piece with bellow	02.0608.15.00		2
363	Seal	02.0611.05.00		2
364	Bush	02.0315.56.00	Ø 16 / 18 x 10	2
367	Repair kit adjusting adapter item 368, 370	09.801.06.25.0		1
368	Adjusting adapter	02.2400.11.00		1
370	Cap	02.1827.09.00	Ø 35	1
373	Renolit HLT 2	02.1040.40.00	5 g tube	1
388	Repair kit brake lining SB 4345 Textar T 3030 item 368 - 370, 390, 394, 396 - 398 (item 368, 370 for disc brake with adjusting adapter)	09.801.06.45.0	for one axle	1
390	Brake lining cpl. SB 4345 Textar T 3030 Only deliverable per kit 09.801.06.45.0 (item 388)!	05.092.90.07.0		2
393	Repair kit brake retaining clip item 395 - 398	09.801.02.66.0	for one axle	1
394	Clamping spring for brake lining Only deliverable per kit (item 388)!	02.3319.01.00		2
395	Brake pad retaining clip	02.0305.21.00		1
396	Bolt	02.5829.22.31	Ø 10 x 48 / 52	1
397	Disc	02.5404.10.04	10,5	1
398	Lock	02.3301.31.00		1

05.362.70.65.2
 BPW disc brake complet SB 4345



05.362.70.65.3
BPW disc brake complet SB 4345



Tangential mounting
 Brake lining Jurid 539

No.	Name	BPW code number	Dimension	Quantity
323	Repair kit - set of guide sleeves and seals item 325 - 328, 345 - 352, 373	09.801.06.33.0		1
325	Cylinder cap screw (steel cap)	02.5015.72.15	M 16 x 1,5 x 86 - 10.9	1
326	Bush (guide gush / main guide pin) (steel cap)	02.0316.97.00	Ø 17 / 26 / 36 x 116	1
328	Guide bush	02.0315.36.00	Ø 36 / 40 x 82	1
335	Cover plate	02.0601.19.00		1
344	Secondary guide pin repair kit item 345 - 348, 350, 373	09.801.06.91.0	with 02.1410.21.00 (Ø stop ring = 39)	1
345	Cylinder cap screw	02.5015.73.15	M 16 x 1,5 x 80	1
346	Bush	02.0314.06.00	Ø 17 / 32 x 80	1
348	Guide sleeve	02.1410.21.00		1
350	Cap	02.1827.07.00		1
352	Repair kit seal for sliding guide item 335, 354, 355	09.801.06.34.0		1
354	Bellow	02.1011.24.00	Ø 33 / 50 x 38	1
355	Ring	02.5683.74.00	Ø 36,6 / 50 x 5,4	1
360	Repair kit thrust piece item 362 - 364, 373	09.801.06.32.0		1
362	Thrust piece with bellow	02.0608.15.00		2
363	Seal	02.0611.05.00		2
364	Bush	02.0315.56.00	Ø 16 / 18 x 10	2
367	Repair kit adjusting adapter item 368, 370	09.801.06.25.0		1
368	Adjusting adapter	02.2400.11.00		1
370	Cap	02.1827.09.00	Ø 35	1
373	Renolit HLT 2	02.1040.40.00	5 g tube	1
388	Repair kit brake lining SB 4345 Jurid 539 item 368 - 370, 390, 394, 396 - 398 (item 368, 370 for disc brake with adjusting adapter)	09.801.06.96.0	Model no longer available. Replaced by 09.801.16.45.0	1
390	Brake lining cpl. SB 4345 Jurid 539 Only deliverable per kit 09.801.06.96.0 (item 388)!	05.092.90.09.0	Model no longer available. Replaced by 05.092.90.07.0	2
393	Repair kit brake retaining clip item 395 - 398	09.801.02.66.0	for one axle	1
394	Clamping spring for brake lining Only deliverable per kit (item 388)!	02.3319.01.00		2
395	Brake pad retaining clip	02.0305.21.00		1
396	Bolt	02.5829.22.31	Ø 10 x 48 / 52	1
397	Disc	02.5404.10.04	10,5	1
398	Lock	02.3301.31.00		1

05.362.70.65.3
 BPW disc brake complet SB 4345

