

BAWER FIRE EXTINGUISHER BOX

Technical Characteristics

Raw material	Available in all BAWER standard materials and finishing
Thickness	mm 1,5
Test	Mechanical and corrosion resistance
Manufacturing system	Laser and/or TIG welding - qualified process
Lock system	Europlex/Euroinox

Polished Stainless Steel FIRE EXTINGUISHER BOX



Black Powder Coated FIRE EXTINGUISHER BOX

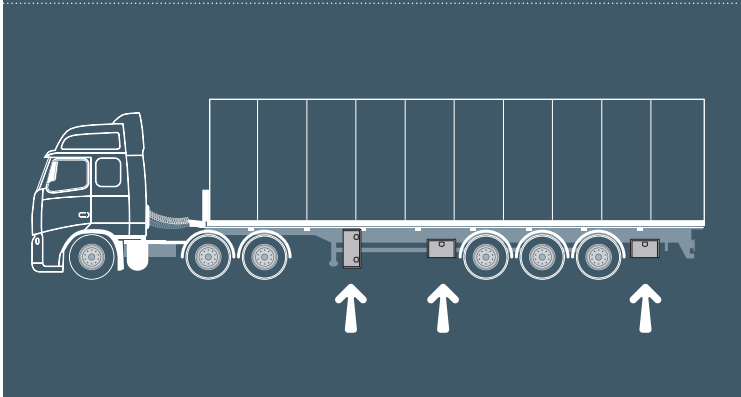


Pullout



	code	dimension mm.			weight kg	pieces per pallet	Ø mm. fire extinguisher
		L	H	D			
Polished	V6555	340	315	704	14,5	24	160
	V6556	340	315	704	14,5	24	180
Black	V6552	340	315	704	14,5	24	160
	V6553	340	315	704	14,5	24	180

Example of fitting-out



Semi-trailer equipped with pullout BAWER FIRE EXTINGUISHER BOX.



Single



	code	dimension mm.			weight kg	pieces per pallet	Ø mm. fire extinguisher
		L	H	D			
Polished	V6540	300	700	240	12,7	54	160
	V6541	300	700	240	12,7	54	180
Black	V6530	300	700	240	12,7	54	160
	V6531	300	700	240	12,7	54	180



Double



	code	dimension mm.			weight kg	pieces per pallet	Ø mm. fire extinguisher
		L	H	D			
Polished	V6550	470	700	240	16,7	20	160
	V6551	470	700	240	16,7	20	180
Black	V6533	470	700	240	16,7	20	160
	V6534	470	700	240	16,7	20	180